



# TEMPERATURE

## SURFACE MOUNT ROOM TEMPERATURE THERMISTOR AND RTD SENSORS

### TE205A

#### DESCRIPTION

The MAMAC Model TE205A Surface-Mount Room Thermistor and RTD Sensor provides precision room temperature sensing for building automation systems. The active sensing element is made of a highly stable, precision thermistor material or platinum RTD.

#### FEATURES

- $\pm 0.36^{\circ}\text{F}$  ( $0.2^{\circ}\text{C}$ ) thermistor accuracy
- $\pm 0.27^{\circ}\text{F}$  ( $0.15^{\circ}\text{C}$ ) or  $\pm 0.54^{\circ}\text{F}$  ( $0.30^{\circ}\text{C}$ ) RTD accuracy
- Wide selection of thermistor and RTD curves
- Vented housing for quick temperature response
- Durable plastic housing and base plate
- Easy to mount to wall or back box

#### APPLICATION

The wall-mounted enclosure is designed to be mounted indoors vertically or horizontally. The separate base plate may be mounted directly to the drywall or a standard electrical outlet box with adapters. The cover is secured with tamper resistant hex screw.

NEW!

MAMAC



TE205A



TEMPERATURE

19

#### SPECIFICATIONS

##### Accuracy

Thermistor  $\pm 0.36^{\circ}\text{F}$  ( $0.2^{\circ}\text{C}$ )

##### RTD

100 $\Omega$  & 1000 $\Omega$  0.1%

1000 $\Omega$  Nickel 0.5 $^{\circ}\text{F}$

1000 $\Omega$  Balco 0.5 $^{\circ}\text{F}$

##### Sensor Type

Thermistor 3 k $\Omega$ , 10 k $\Omega$  Type II & III, 20 k $\Omega$ , 100k $\Omega$

RTD 100 $\Omega$  & 1000 $\Omega$  Platinum 385 Curve, 1000 $\Omega$  Nickel, 1000 $\Omega$  Balco

##### Temperature Range

Thermistor/RTD  $-40^{\circ}$  to  $210^{\circ}\text{F}$  ( $-40^{\circ}$  to  $100^{\circ}\text{C}$ )

##### Temperature Coefficient

Thermistor Negative temperature coefficient

RTD Positive temperature coefficient

Enclosure White plastic with aluminum plate

Mounting Directly to wall or BKT-1 bracket to

mount to single gang box

Wiring Terminations 4.5" (13 cm) of 22 AWG pigtails

Approvals CE, RoHS

Weight 0.2 lb (0.1 kg)

Warranty 1 year +

NEW!

1156

877-826-9037 USA | kele.com

FREE TECH SUPPORT FOR THE LIFE OF YOUR PRODUCTS

September 2016



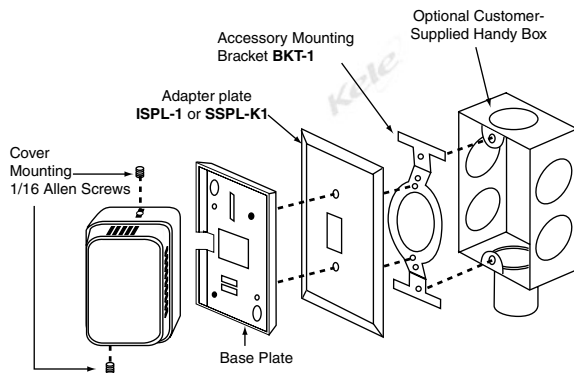
## SURFACE MOUNT ROOM TEMPERATURE THERMISTOR AND RTD SENSORS TE205A

### MOUNTING

Toggle bolts or other direct wall-mount screws can be used where conduit is not required. Adapters are required when mounting directly to electrical outlet boxes.

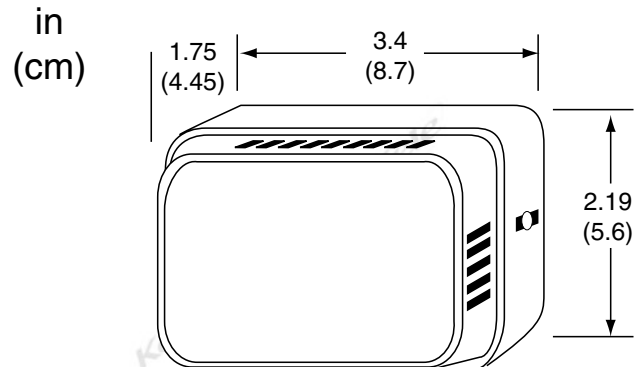
Basic model comes with base plate, cover, brushed aluminum faceplate, 4.5" (45.7 cm) of 22 AWG wire, and two #6 x 1 screws for direct wall mounting. Cover screws are #6-32 with a 1/16" allen key head.

Terminate with butt splices or soldering. Wire nuts are not recommended.



The sensor should be mounted approximately five feet above the floor, on an interior wall, away from any heating or cooling generating devices.

### DIMENSIONS



### ORDERING INFORMATION

MODEL	DESCRIPTION
TE205A	Surface Mount Sensor
	<b>OPTIONS</b>
1	100Ω @ 32°F (0°C), 385 RTD Platinum curve (yellow leads)
3	1,000Ω @ 32°F (0°C), 385 RTD Platinum curve (red leads)
4	1,000Ω @ 32°F (0°C), RTD Nickel curve (violet leads)
5	1,000Ω @ 32°F (0°C), RTD Balco curve (brown leads)
7	10,000Ω @ 77°F (25°C), Thermistor Type III (green leads)
10	3,000Ω @ 77°F (25°C), Thermistor (black leads)
12	10,000Ω @ 77°F (25°C), Thermistor Type II (green and red leads)
15	100,000Ω @ 77°F (25°C), Thermistor (orange and black leads)
17	20,000Ω @ 77°F (25°C), Thermistor (green and blue leads)

TE205A - 10

**Example:** TE205A10 3,000Ω @ 77°F (25°C), Thermistor (black leads)

### RELATED PRODUCTS

<b>BKT-1</b>	Handy-box mounting bracket for wall sensor
<b>ISPL-1</b>	Plastic ivory switch plate cover for handy-box mounting
<b>T81U-XR</b>	100 ohm, Type 81 4-20 mA temperature transmitter, custom rangeable
<b>T85U-XR</b>	1000 ohm, Type 85 4-20 mA temperature transmitter, custom rangeable
<b>SSPL-K1</b>	Stainless steel switch plate cover for handy-box mounting